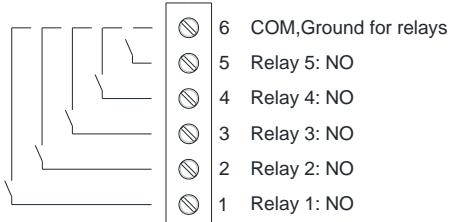
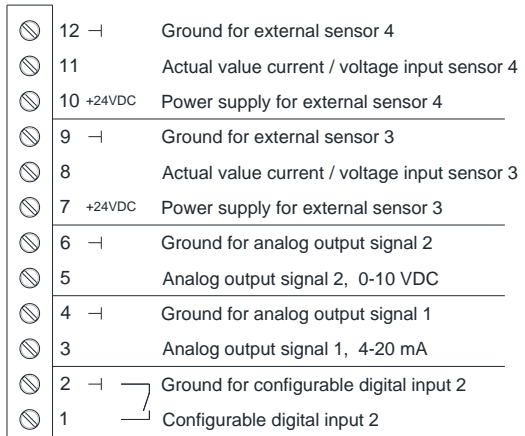


## PREMIUM CARD HYDROVAR

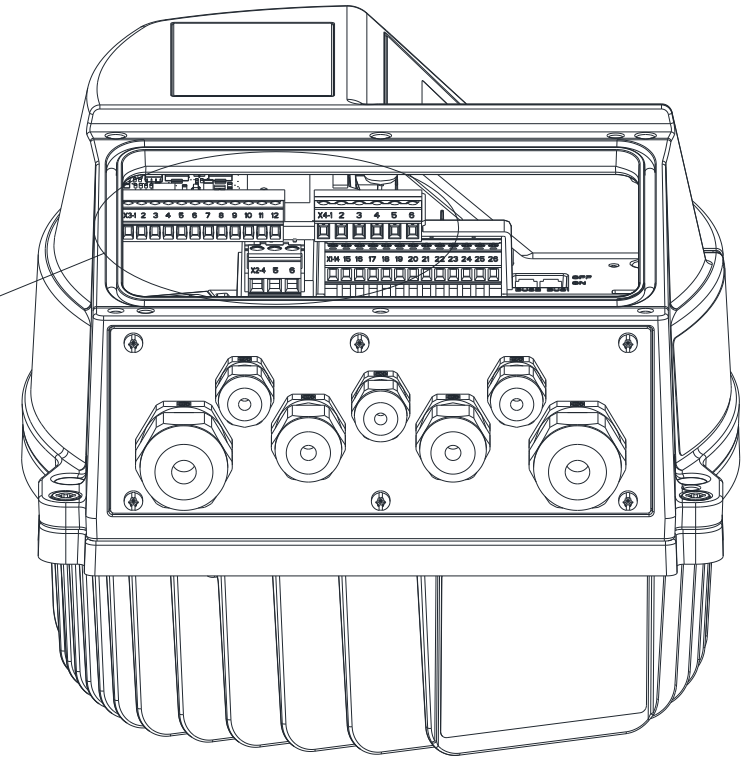
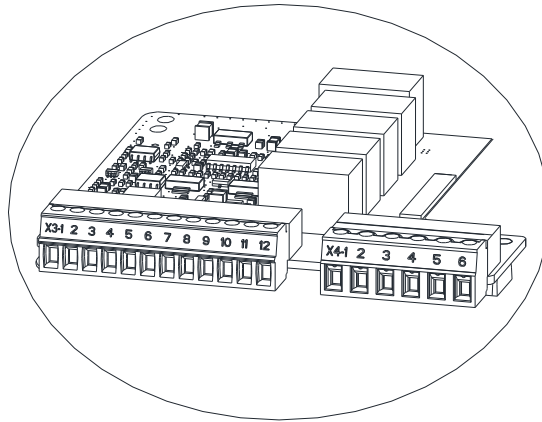


X4



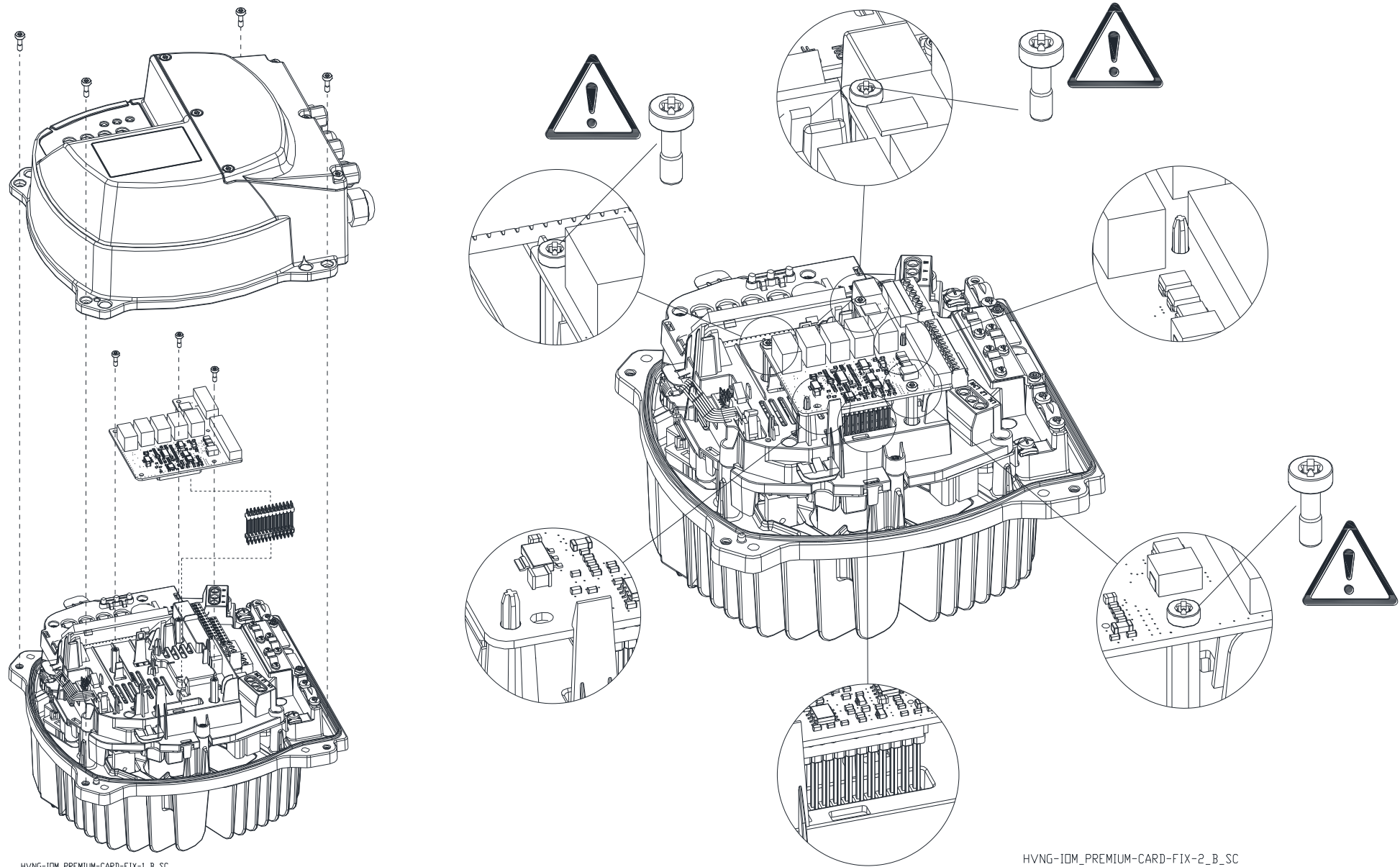
X3

NHG\_PREMIUM CARD\_B\_SC



HVNG-IDM\_PREMIUM-CARD\_A\_SC





HVNG-IDM\_PREMIUM-CARD-FIX-1\_B\_SC

HVNG-IDM\_PREMIUM-CARD-FIX-2\_B\_SC

